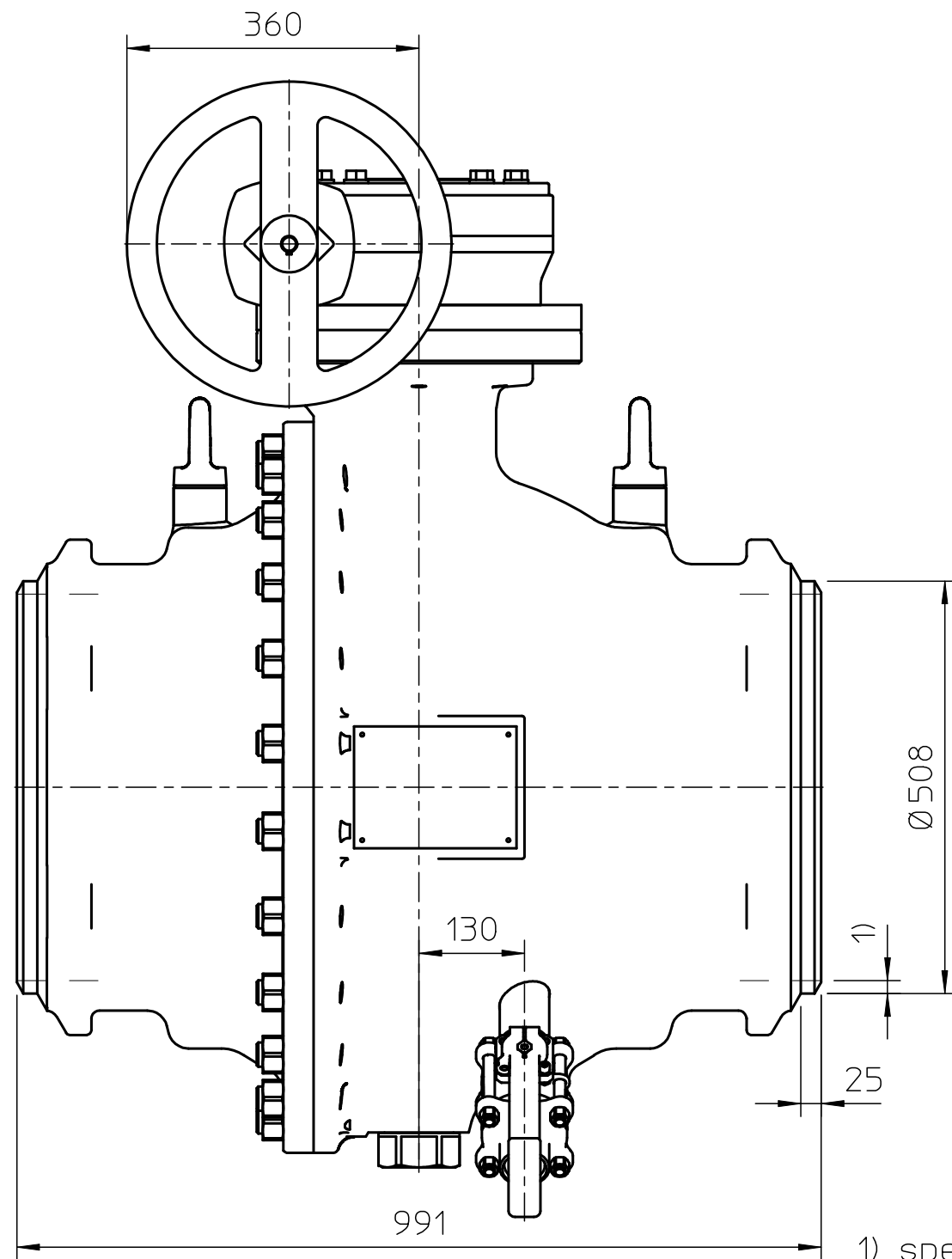
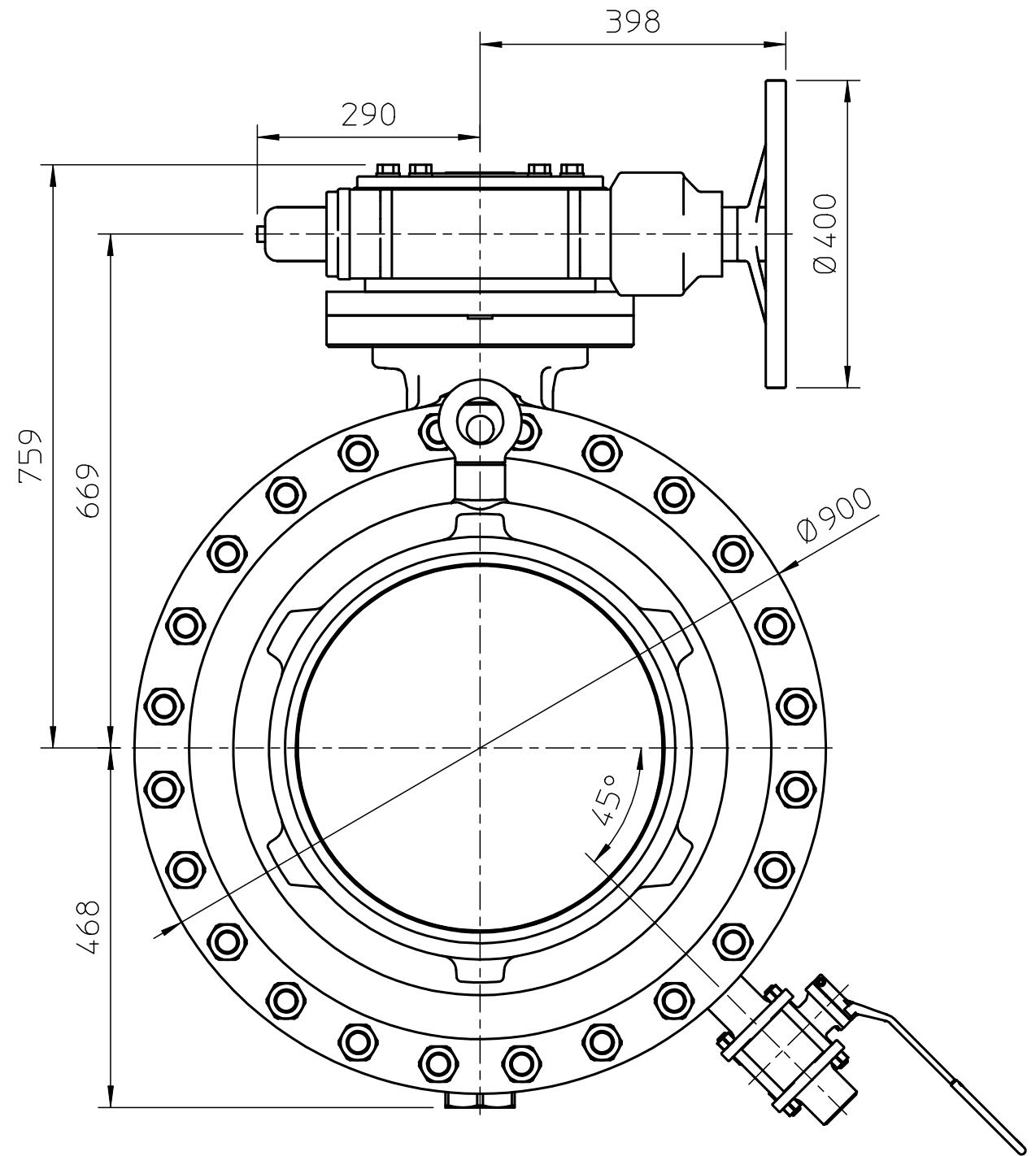


KLINGER ballostar ball valve type KHSV(W)I 500 VII-AF(799)-KFC PN25, with  
worm gear type AUMA GS160.3/GZ160.3-4/H.



1) spec. by purchaser



drain cock DN50

total weight: ca. 1272kg

drw.: 21.10.10 SA

w0H31780-8